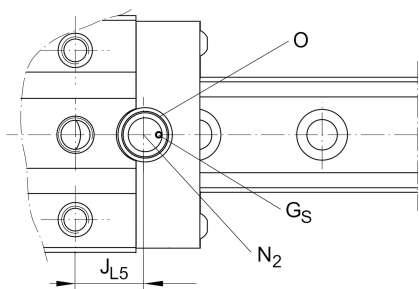
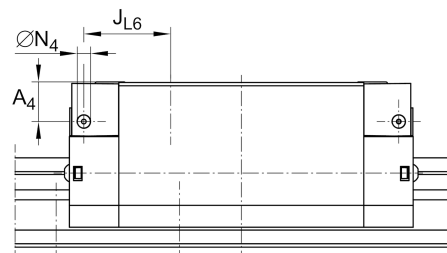
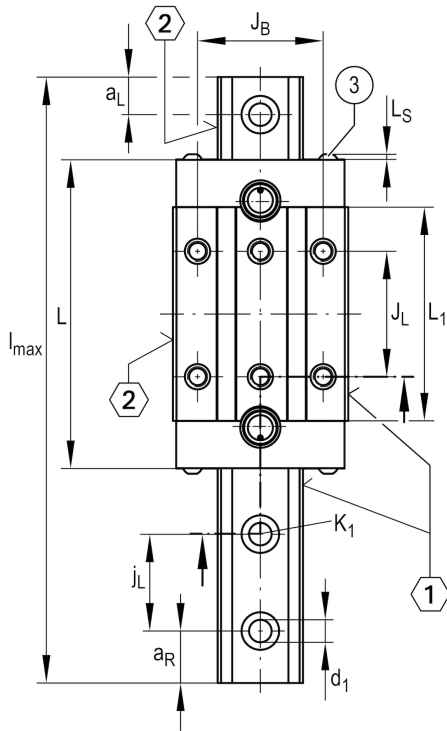
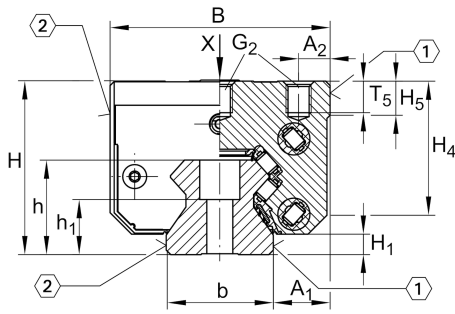


## RUE25-E-HL

滚子单轨引导系统

满装循环滚珠系统的高窄长滑块，用于直线循环滚珠轴承和导轨组件，用于润滑油和脂润滑

### 技术信息



## 安装尺寸

A <sub>1</sub>	[12.5] mm	
J <sub>B</sub>	[35] mm	
b	[23] mm	width rail
Tol <sub>b</sub>	[-0.005] mm	Upper tolerance
Tol <sub>b</sub>	[-0.03] mm	Lower tolerance
A <sub>2</sub>	[6.5] mm	
L <sub>1</sub>	[82.2] mm	
J <sub>L</sub>	[50] mm	
j <sub>L</sub>	[30] mm	
a <sub>L min</sub>	[20] mm	
a <sub>L max</sub>	[23] mm	
a <sub>R min</sub>	[20] mm	Distance
a <sub>R max</sub>	[23] mm	
H <sub>1</sub>	[6.5] mm	
H <sub>4</sub>	[32.5] mm	
H <sub>5</sub>	[5.25] mm	
T <sub>5</sub>	[7.5] mm	
h	[22.3] mm	
h <sub>1</sub>	[11.8] mm	
Tol h <sub>1</sub>	[0.5] mm	Upper tolerance
Tol h <sub>1</sub>	[-0.5] mm	Lower tolerance
G <sub>2 MA</sub>	[17] Nm	maximum tightening torque
K <sub>1</sub>	[M6]	fixing screws
K <sub>1 MA</sub>	[17] Nm	maximum tightening torque
d <sub>1</sub>	[6.7] mm	
A <sub>3</sub>	[11.5] mm	position lubrication adapter
N <sub>3</sub>	[M6]	lubrication connector
N <sub>2 max</sub>	[3] mm	
J <sub>L5</sub>	[20.3] mm	
G <sub>S</sub>	[M4x4]	
O	[10x1,5]	O-Ring DIN 3771

## Main dimensions

l <sub>max</sub>	[3,930] mm	Max length single piece guideway
H	[40] mm	height system
B	[48] mm	width carriage
L	[107] mm	overall length carriage

### Technical data

C	[33,500] N	dynamic load rating
C <sub>0</sub>	[82,000] N	static load rating
M <sub>0x</sub>	[350] Nm	static moment rating about X axis
M <sub>0y</sub>	[760] Nm	static moment rating about Y axis
M <sub>0z</sub>	[680] Nm	static moment rating about Z axis

### Related products

[RWU25-E-HL]	Carriage
[TSX25-D]	Guideway

