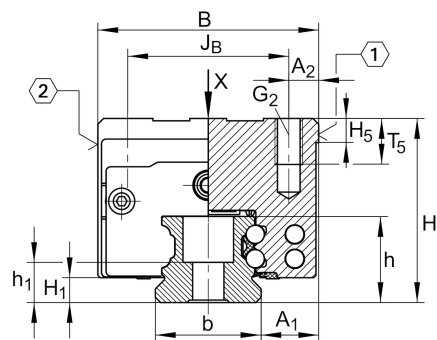


## KUVE20-B-S

球单轨引导系统

滑块 KWVE...-B-S, 窄型滑块, 四列

### 技术信息

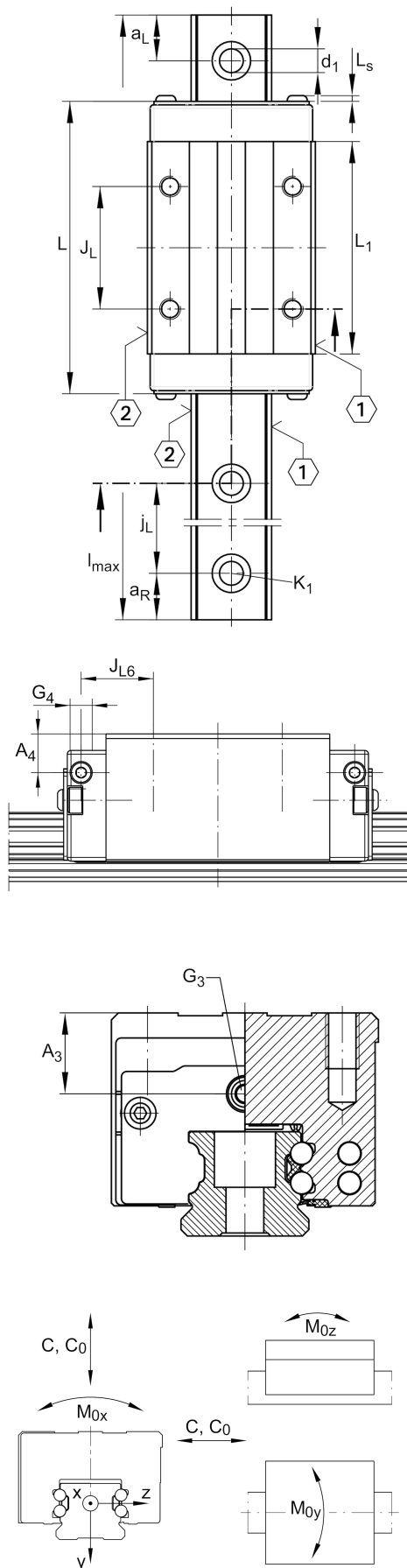


#### Main dimensions

$l_{max}$	[5,880] mm	Max length single piece guideway
H	[30] mm	height system
B	[44] mm	width carriage
L	[71.4] mm	overall length carriage

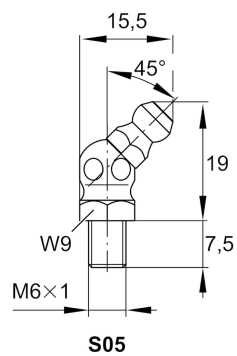
#### 安装尺寸

C	[13,100] N	dynamic load rating
$C_0$	[27,000] N	static load rating
$M_{0x}$	[332] Nm	static moment rating about X axis
$M_{0y}$	[240] Nm	static moment rating about Y axis
$M_{0z}$	[240] Nm	static moment rating about Z axis



## 安装尺寸

$A_1$	[12] mm	
$J_B$	[32] mm	
$b$	[20] mm	width rail
$Tol_b$	[-0.005] mm	Upper tolerance
$Tol_b$	[-0.03] mm	Lower tolerance
$A_2$	[6] mm	
$L_1$	[50.4] mm	
$L_s$	[1.3] mm	
$J_L$	[36] mm	
$j_L$	[60] mm	
$a_{L\min}$	[20] mm	
$a_{L\max}$	[53] mm	
$a_{R\min}$	[20] mm	
$a_{R\max}$	[53] mm	
$H_1$	[4.5] mm	
$H_5$	[5.25] mm	
$T_5$	[7.5] mm	
$h$	[17] mm	
$h_1$	[8.6] mm	
$G_2$	[M5]	fixing screws
$G_{2MA}$	[10] Nm	maximum tightening torque
$K_1$	[M5]	fixing screws
$K_{1MA}$	[10] Nm	maximum tightening torque
$d_1$	[5.8] mm	
$A_3$	[7.7] mm	
$G_3$	[M5] mm	
$t_{G_3}$	[7] mm	
$A_4$	[4.6] mm	
$G_4$	[M5]	
$t_{G_4}$	[5.5] mm	
$J_{L6}$	[11.4] mm	



### Related products

[KWVE20-B-S]	Carriage
[TKVD20]	suitable Guide Rail