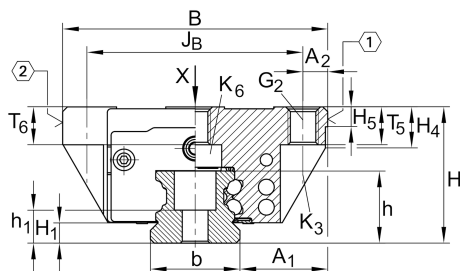


KUVE45-B

球单轨引导系统

滑块 KWVE...-B, 标准滑块, 四列, 满装滚珠

技术信息



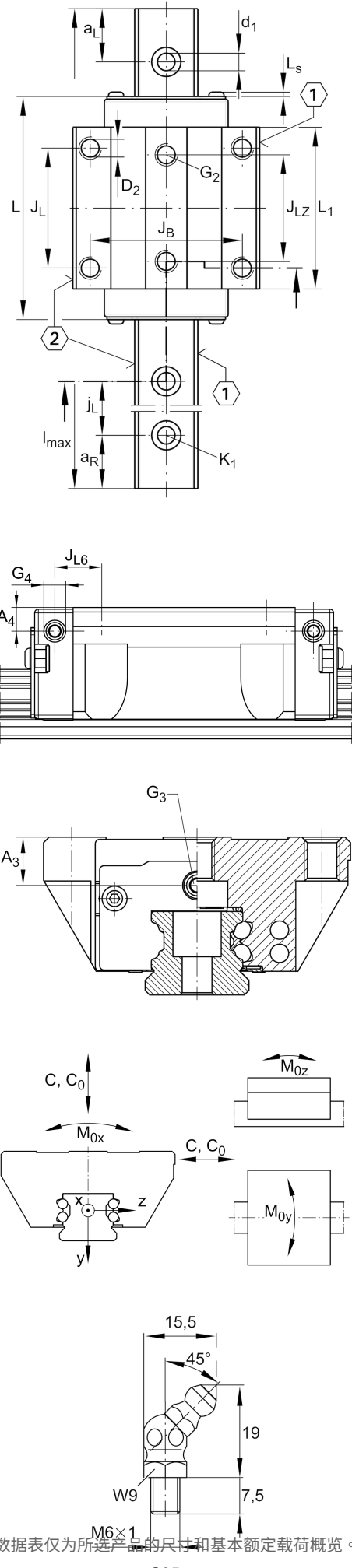
Main dimensions

l_{max}	[5,835] mm	Max length single piece guideway
H	[60] mm	height system
B	[120] mm	width carriage
L	[140.6] mm	overall length carriage

安装尺寸

C	[69,000] N	dynamic load rating
C_0	[141,000] N	static load rating
M_{0x}	[3,610] Nm	static moment rating about X axis
M_{0y}	[2,485] Nm	static moment rating about Y axis
M_{0z}	[2,485] Nm	static moment rating about Z axis

安装尺寸



A_1	[37.5] mm	
J_B	[100] mm	
b	[45] mm	width rail
Tol_b	[-0.005] mm	Upper tolerance
Tol_b	[-0.03] mm	Lower tolerance
A_2	[10] mm	
L_1	[102.5] mm	
L_s	[2.2] mm	
J_L	[80] mm	
J_{LZ}	[60] mm	
j_L	[105] mm	
$a_{L\ min}$	[20] mm	
$a_{L\ max}$	[94] mm	
$a_{R\ min}$	[20] mm	
$a_{R\ max}$	[94] mm	
H_1	[9.7] mm	
H_4	[19.9] mm	
H_5	[9.25] mm	
T_5	[15] mm	
T_6	[15] mm	
h	[34.2] mm	
h_1	[15.7] mm	
G_2	[M12]	fixing screws
G_{2MA}	[83] Nm	maximum tightening torque
K_1	[M12]	fixing screws
K_{1MA}	[140] Nm	maximum tightening torque
K_3	[M10]	fixing screws
K_{3MA}	[83] Nm	maximum tightening torque
K_6	[M10]	fixing screws
K_{6MA}	[83] Nm	maximum tightening torque
d_1	[13.4] mm	
D_2	[10.6] mm	
A_3	[16.5] mm	
G_3	[M6] mm	
t_{G_3}	[7] mm	
A_4	[16.5] mm	
G_4	[M6]	
t_{G_4}	[7] mm	
J_{L6}	[19.25] mm	

数据表仅为所选产品的尺寸和基本额定载荷概览。请始终遵守本产品的所有更多信息和指南。您可通过我们网站上的联系表了解更多信息。

Related products

[KWVE45-B]	Carriage
[TKVD45]	suitable Guide Rail