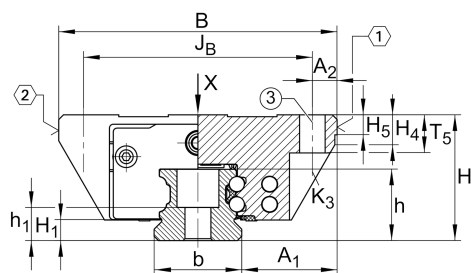


KUVE30-B-EC

球单轨引导系统

滑块 KWVE...-B-EC, 互换性高, 短滑块, 四列

技术信息

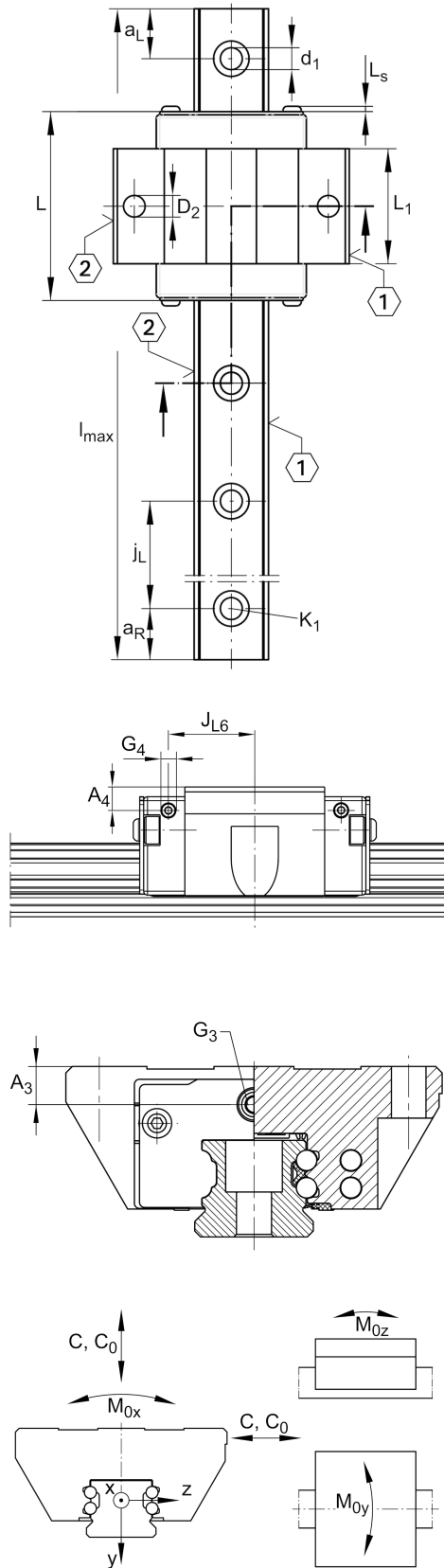


Main dimensions

l_{max}	[5,860] mm	Max length single piece guideway
H	[42] mm	height system
B	[90] mm	width carriage
L	[69] mm	overall length carriage

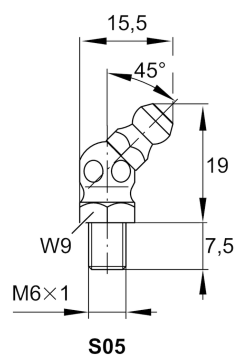
安装尺寸

C	[18,700] N	dynamic load rating
C_0	[31,500] N	static load rating
M_{0x}	[554] Nm	static moment rating about X axis
M_{0y}	[248] Nm	static moment rating about Y axis
M_{0z}	[248] Nm	static moment rating about Z axis



安装尺寸

A_1	[31] mm	
J_B	[72] mm	
b	[28] mm	width rail
Tol_b	[-0.005] mm	Upper tolerance
Tol_b	[-0.03] mm	Lower tolerance
A_2	[9] mm	
L_1	[42] mm	
L_s	[1.65] mm	
j_L	[80] mm	
$a_{L\ min}$	[20] mm	
$a_{L\ max}$	[71] mm	
$a_{R\ min}$	[20] mm	
$a_{R\ max}$	[71] mm	
H_1	[5.9] mm	
H_4	[13.8] mm	
H_5	[6.25] mm	
T_5	[12] mm	
h	[23.5] mm	
h_1	[11] mm	
K_1	[M8]	fixing screws
K_{1MA}	[41] Nm	maximum tightening torque
K_3	[M8]	fixing screws
K_{3MA}	[41] Nm	maximum tightening torque
d_1	[9] mm	
D_2	[8.6] mm	
A_3	[11.5] mm	
G_3	[M6] mm	
t_{G_3}	[7] mm	
A_4	[7] mm	
G_4	[M6]	
t_{G_4}	[7] mm	
J_{L6}	[26.5] mm	



Related products

[KWVE30-B-EC]	Carriage
[TKVD30]	suitable Guide Rail